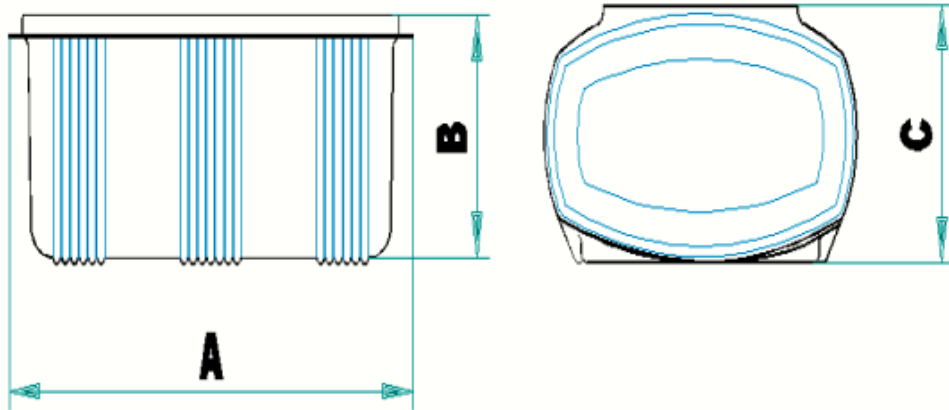


# Product Specification



Adding  
**Value**  
to Food

Product Title            OVAL HINGED LID CONTAINER PET, 375CC 600/BOX V63  
Product Code            FE375ITE



Dimensions	A (mm)	B (mm)	C (mm)
	95	60	132

WEIGHT	
MIN	MAX
<b>10,45</b>	<b>11,00</b>

PRODUCT INFORMATION						
Piece /Kg / Time	Product Weight ±%2,5 (g)	Gross Box Weight ±%2,5 (Kg)	Quantity per BoX (Pcs)	Minutes for 1000 pcs	Pcs / 1000 kg	Sheet (kg) for 1000 pcs
	10,7	7,635	600	3,13	69324,09	14,425

Production Details	Box per Hour (pcs)	Product per Hour (pcs)	Ullage Factor	Tool Cavity (pcs)	Production Rate (cycle / minute)	Sheet Dimensions
	32,00	19200	3,7	8	40	0,32 x 690

Knife, Box and Sleeve Bag	Knife Ref	Length of Knife (m)	Box Ref	Inner Box Dimensions L x W x H (mm)	Sleeve Bag Dimensions (mm)
	L11011927	5,9	101	406 x 588 x 441	40 x 80

While we have taken all reasonable steps to verify the accuracy of the information contained in this specification, no warranties are given to this effect and purchasers should determine for themselves whether products are suitable for their own specific use. The information contained in this specification is intended for the customer it has been issued to. It must not be reproduced, or the information contained therein passed on to any third party without the written consent of Scobie & Junor.

# Product Specification



Customer Approval of Specification	
Please sign and return this specification to <b>technical@scobie-junor.co.uk</b> to confirm formal acceptance of this specification. All specifications issued will be deemed to be accepted if no communication to the contrary is received after 10 working days.	
Signature:	
Print name:	
Position:	
Date:	

Issued by Scobie & Junor (Estd. 1919) Ltd. Certified accurate on 20/10/2021 14:03:32

While we have taken all reasonable steps to verify the accuracy of the information contained in this specification, no warranties are given to this effect and purchasers should determine for themselves whether products are suitable for their own specific use. The information contained in this specification is intended for the customer it has been issued to. It must not be reproduced, or the information contained therein passed on to any third party without the written consent of Scobie & Junor.